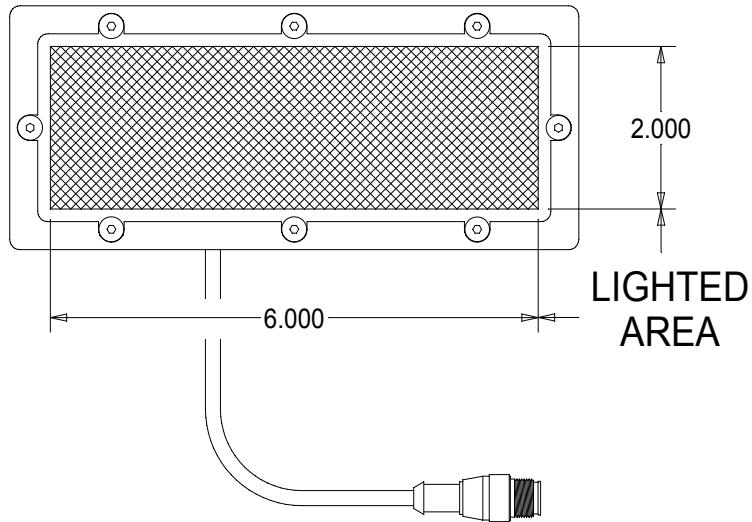
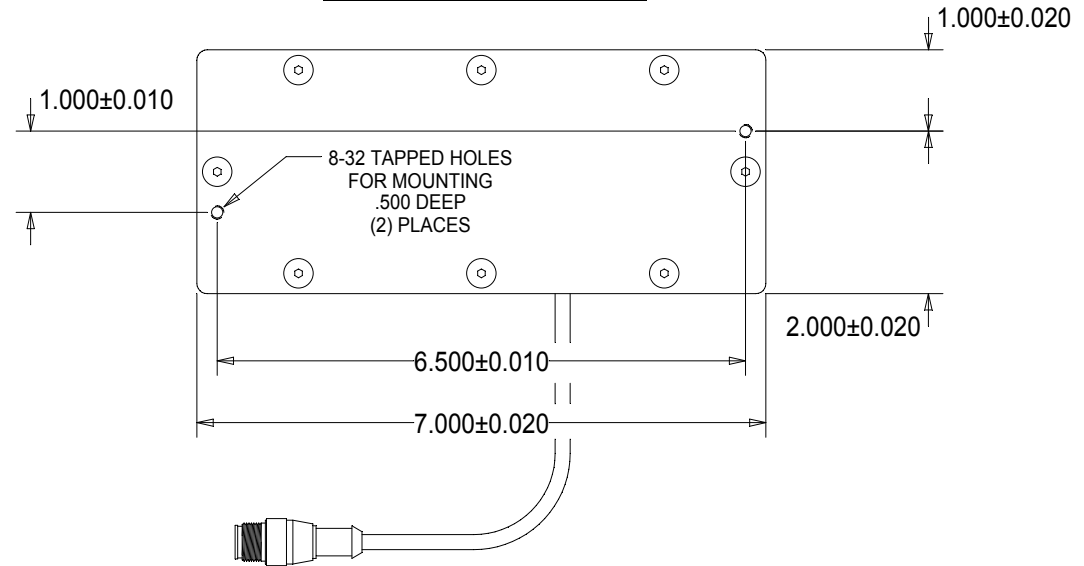


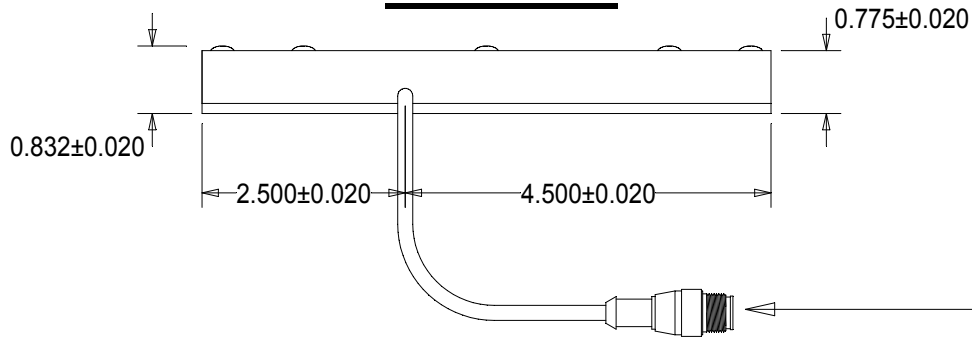
## TOP VIEW



## BOTTOM VIEW



## SIDE VIEW



### STANDARD EUROFAST 4-PIN (MALE) CONNECTOR

PIN 1 (+24VDC / BROWN)  
PIN 3 (GROUND / BLUE)  
PIN 4 (+24VDC / BLACK) STROBE/CONT.

250ma MAX

# BL26 MOUNT SPECIFICATIONS