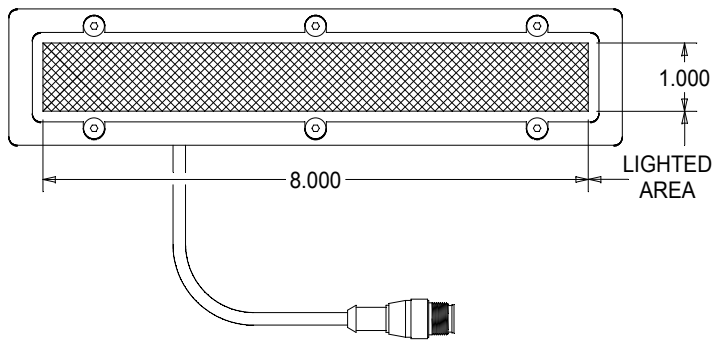
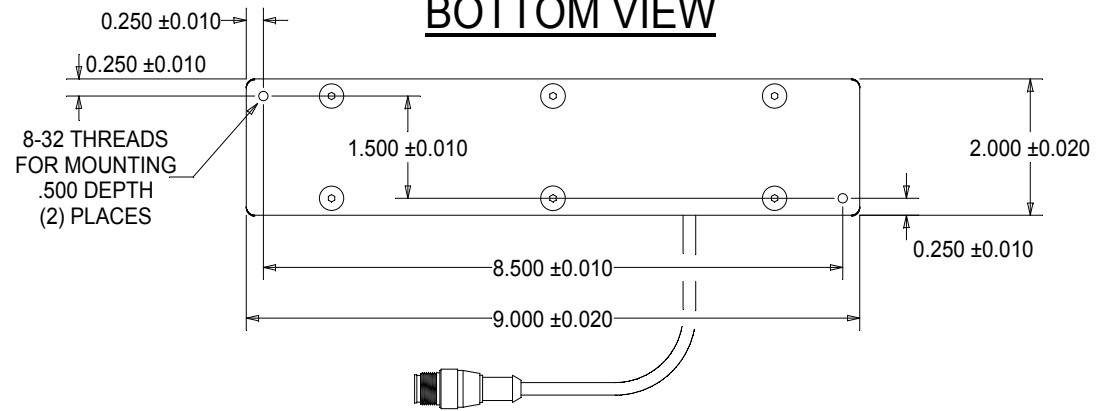


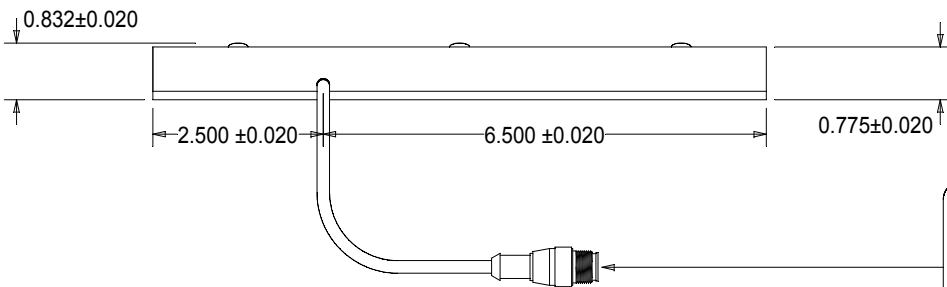
TOP VIEW



BOTTOM VIEW



SIDE VIEW



BL18 MOUNT SPECIFICATIONS

STANDARD EUROFAST 4-PIN (MALE) CONNECTOR

- PIN 1 (+24VDC / BROWN)
- PIN 3 (GROUND / BLUE)
- PIN 4 (+24VDC / BLACK) STROBE/CONT.